

## E3-Tire Pallet “Fishbone” tires storage

The number of “tires / pallet” is depends on the firm's stacking strategy.

Here are practical values for some tire types

Tire Size	Outside Ø	width	Tire/Pallet
175/60 R 16	616,4	175	90
185/50 R 17	616,8	185	90
195/55 R 16	620,9	195	90
195/65 R 16	659,9	195	90
205/50 R 16	611,4	205	80
205/50 R 17	636,8	205	70
205/55 R 16	631,9	205	80
205/60 R 16	652,4	205	80
215/45 R 16	599,9	215	80
215/50 R 17	646,8	215	70
225/45 R 17	634,3	225	64
225/50 R 17	656,8	225	64
225/55 R 17	679,3	225	56
235/40 ZR 18	645,2	235	48
235/45 R 17	694,1	235	64
235/50 R 19	692,2	235	56
235/55 R 18	690,3	235	56
245/40 R 17	627,8	245	56
245/40 R 18	653,2	245	64
245/45 R 18	677,7	245	56
245/45 R 19	703,1	245	56
245/50 R 18	702,2	245	56
255/35 R 20	686,5	255	56
275/30 R 20	673	275	42
275/40 ZR 20	728	275	48



## "upstanding" tires storage E3-Tire Pallet

### Calculation of Tire amount / Pallet

The amount of stored tires in the Pallet is depended from the outside diameter and the tire width.

Outside  $\varnothing < 640\text{mm}$   $\rightarrow$  6 series /Pallet

Outside  $\varnothing > 640\text{mm}$   $\rightarrow$  4 series /Pallet

The amount of tires in one series is dependence from the tire width:

Amount =  $2200 / \text{width}$  ( Result rounded downwards)

### Sample :

**Tire size 215/75R17.5**

**Width : 215 mm**

Outside  $\varnothing$  754.3mm

Series # = 4

Tire/series =  $2200/215$

= 10,23  $\rightarrow$  10 tires/series

**Total tires/Pallet =  $10 \times 4 = 40$**

**Tire size 175/65R14**

**Width : 175 mm**

Outside  $\varnothing$  583.1mm

Series # = 6

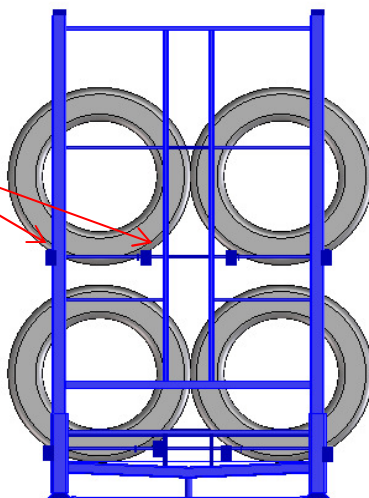
Tire/series =  $2200/175$

= 12,57  $\rightarrow$  12 tires/series

**Total tires/Pallet =  $12 \times 6 = 72$**

Outside  $\varnothing > 640 \text{ mm}$

8 additional bars required



Outside  $\varnothing \leq 640 \text{ mm}$

12 additional bars required

